



شركة دعم و أمان
Safe and Support CO.



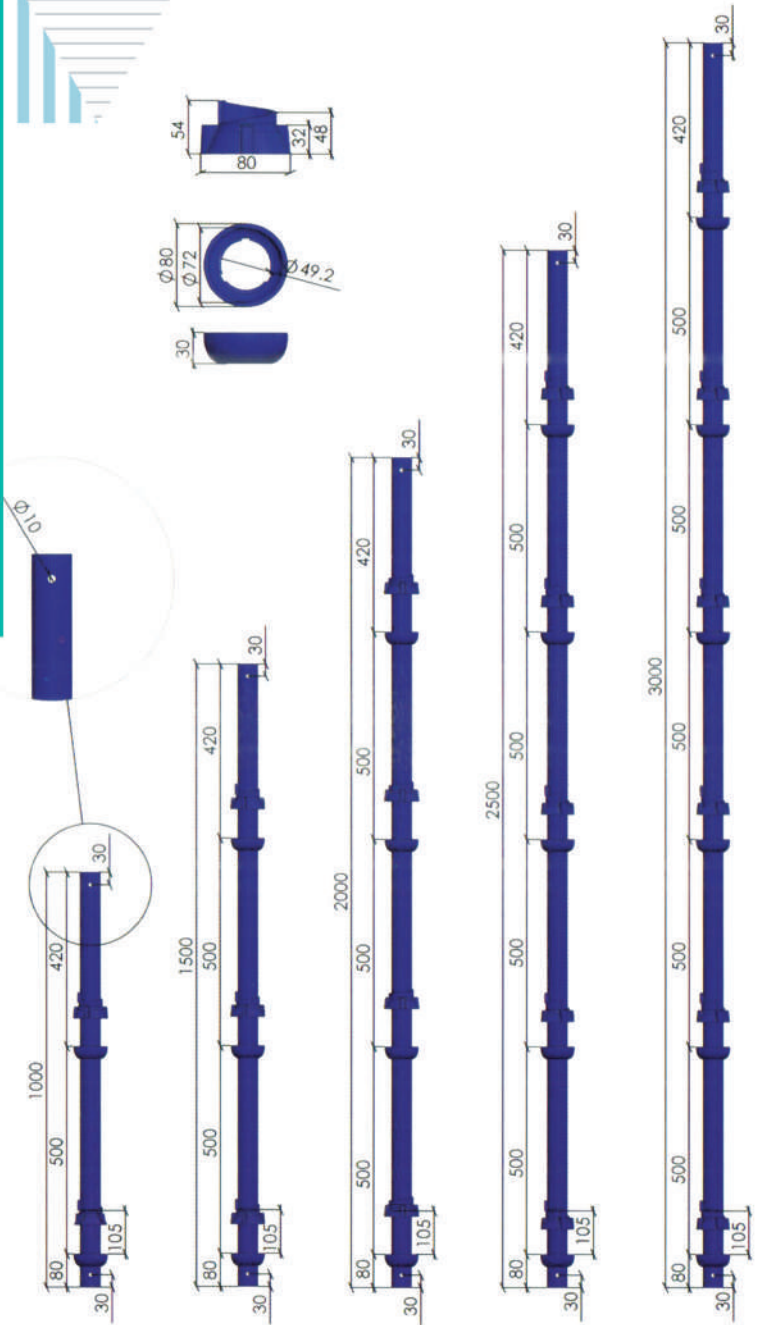


cuplock System

Cuplock Standard

- ▲ Cuplock Standard are introduced in five basic sizes (1000 mm, 1500 mm, 2000 mm, 2500 mm, and 3000 mm) lengths.
- ▲ Cuplock Standard are manufactured from 48.3 mm O.D. Tube with 3 mm and 3.2 mm thickness.
- ▲ The lower cups are welded to standard at 500 mm intervals.
- ▲ The upper cups (movable cups) are used to locking up to 4 ledger at one node.

The lowest bottom cup is welded at 80 mm from the bottom end of the standard and the highest bottom cup is welded at 420 from the upper end of the standard.

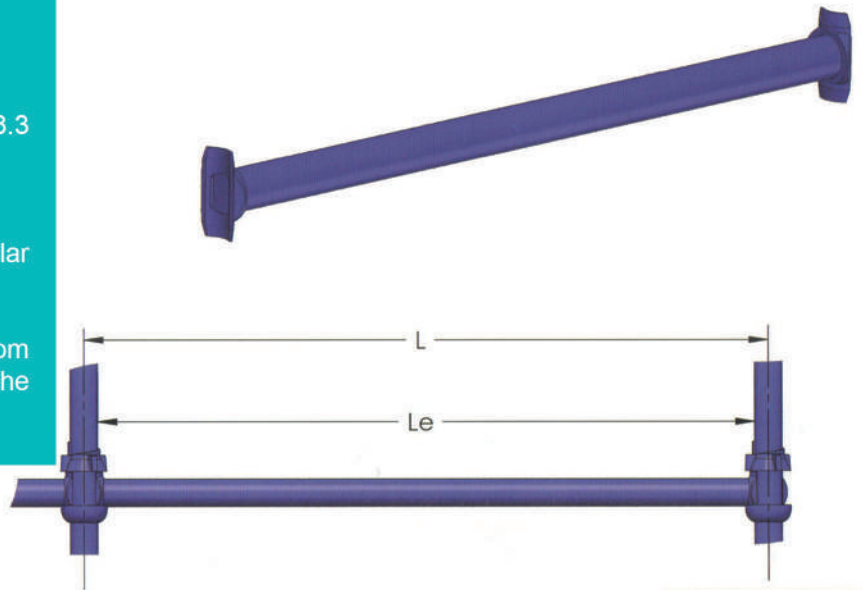


Code		PRODUCT	WEIGHT (KG)
101001	1	cuplock standard, 1000 mm, Thk 3 mm	4.59
101005	2	cuplock standard, 1500 mm, Thk 3 mm	6.70
101002	3	cuplock standard, 2000 mm, Thk 3 mm	9.18
101003	4	cuplock standard, 2500 mm, Thk 3 mm	11.15
101004	5	cuplock standard, 3000 mm, Thk 3 mm	13.40

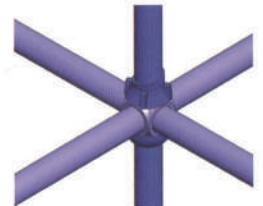
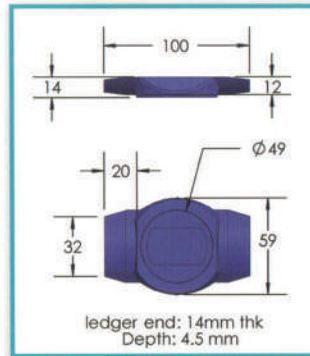
		PRODUCT	WEIGHT (KG)
1		cuplock standard, 1000 mm, Thk 3.2 mm	4.90
2		cuplock standard, 1500 mm, Thk 3.2 mm	7.15
3		cuplock standard, 2000 mm, Thk 3.2 mm	9.80
4		cuplock standard, 2500 mm, Thk 3.2 mm	11.90
5		cuplock standard, 3000 mm, Thk 3.2 mm	14.30

Cuplock Ledgers

- ▲ Cuplock Ledgers are used as the main horizontal connecting members for Cuplock system.
- ▲ Cuplock ledgers are introduced in large varieties to meet the requirements.
- ▲ Cuplock Ledgers are manufactured from 48.3 mm O.D. Tube with 3mm and 3.2mm thickness.
- ▲ Cuplock ledgers ends are formed with circular profile and wedged to ledger tube.
- ▲ Cuplock Ledgers end meet with the bottom cup of the Standard and locked in place by the upper cup. (Corresponding lock)



L: Nominal Length.
Le: Actual length.

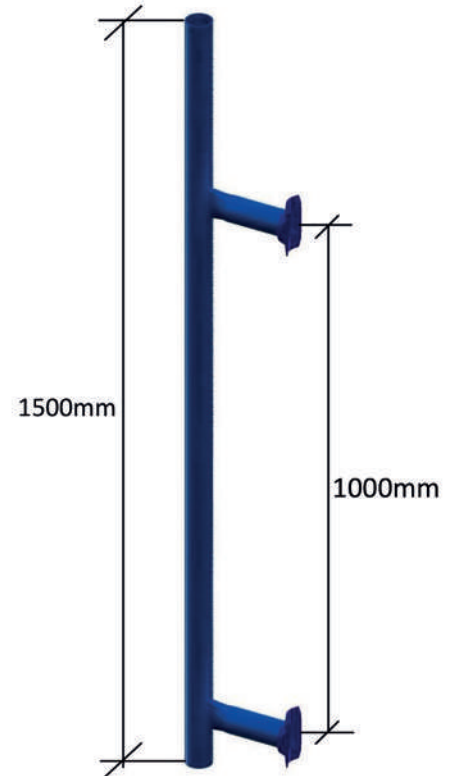


Code		PRODUCT	WEIGHT (KG)
105004	1	cuplock Ledgers ,600 mm,Thk 3 mm	2.35
105005	2	cuplock Ledgers ,900mm,Thk 3 mm	3.00
105007	3	cuplock Ledgers ,1000 mm,Thk 3 mm	3.50
105001	4	cuplock Ledgers ,1200 mm,Thk 3 mm	4.05
105002	5	cuplock Ledgers ,1250 mm,Thk 3 mm	4.35
105010	6	cuplock Ledgers ,1300 mm,Thk 3 mm	5.05
	7	cuplock Ledgers ,1600 mm,Thk 3 mm	6.05
105008	8	cuplock Ledgers ,1800 mm,Thk 3 mm	6.80
105006	9	cuplock Ledgers ,2500 mm,Thk 3 mm	8.30
105009	10	cuplock Ledgers ,3000 mm,Thk 3 mm	9.72

		PRODUCT	WEIGHT (KG)
1		cuplock Ledgers ,600 mm,Thk 3.2 mm	2.65
2		cuplock Ledgers ,900mm,Thk 3.2 mm	3.40
3		cuplock Ledgers ,1000 mm,Thk 3.2 mm	3.90
4		cuplock Ledgers ,1200 mm,Thk 3.2 mm	4.50
5		cuplock Ledgers ,1250 mm,Thk 3.2mm	4.60
6		cuplock Ledgers ,1300 mm,Thk 3.2 mm	5.45
7		cuplock Ledgers ,1600 mm,Thk 3.2 mm	6.10
8		cuplock Ledgers ,1800 mm,Thk 3.2 mm	7.01
9		cuplock Ledgers ,2500 mm,Thk 3.2 mm	9.40
10		cuplock Ledgers ,3000 mm,Thk 3.2 mm	11.20

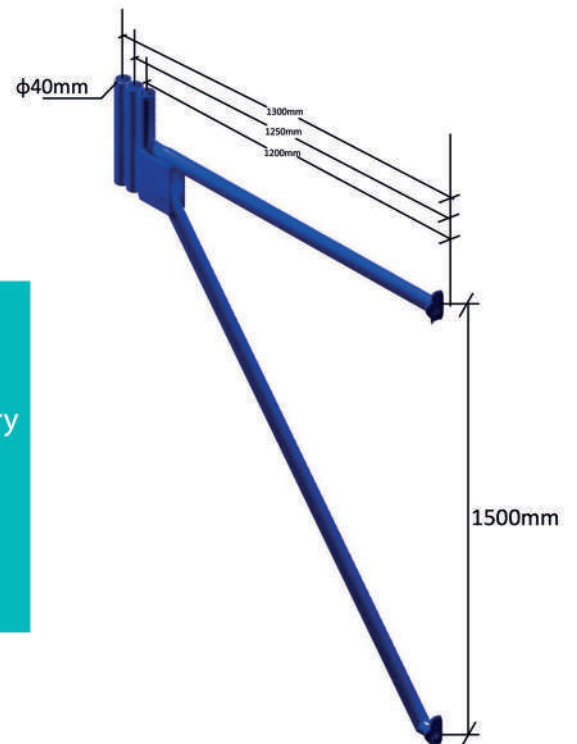
Beam bracket Code:114008

- ▶ To shutter internal beams with needed dimension and transfer te applied load by locting to slab support vertical standard.



Cantilever frame Code:114007

- ▶ For supporting the formwork beyond the external periphery of the slab. The framed have blade ends for locating in the cup joint with lifting 1.50m & accept adjustable jakes in three positions of 1.2m, 1.25m, 1.30m.



Adjustable Base Jacks

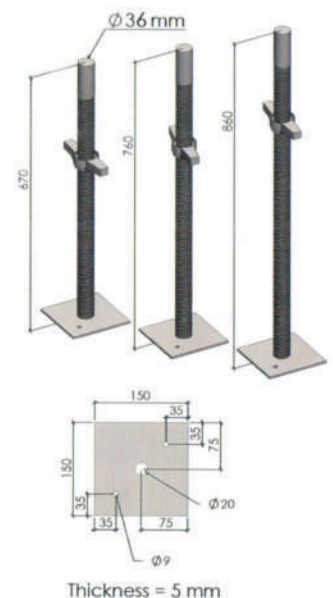
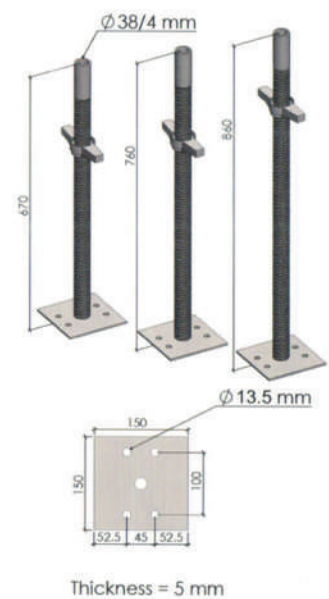
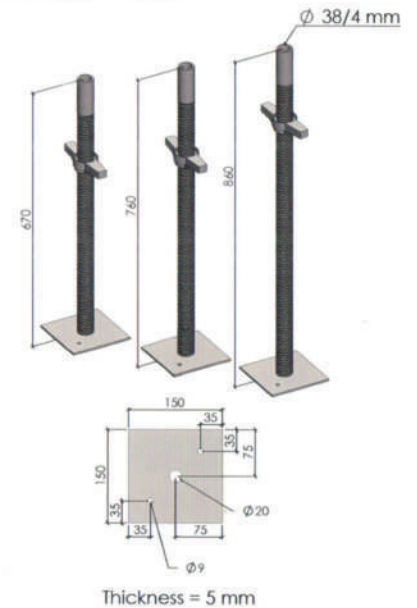
Code:114005

- Adjustable Base Jacks are made of steel plate, screw jack and steel handle .
- Adjustable Base jacks available in two types (Hollow and solid).
- Adjustable Base Jacks provide method of adjustment for Cuplock structure . it fits directly into the Cuplock Standard.

	PRODUCT	WEIGHT (KG)
1	Adjustable Base Jack Hollow Type A 670 mm	3.54
2	Adjustable Base Jack Hollow Type A 760 mm	3.85
3	Adjustable Base Jack Hollow Type A 860 mm	4.20

	PRODUCT	WEIGHT (KG)
1	Adjustable Base Jack Hollow Type B 670 mm	3.54
2	Adjustable Base Jack Hollow Type B 760 mm	3.85
3	Adjustable Base Jack Hollow Type B 860 mm	4.20

	PRODUCT	WEIGHT (KG)
1	Adjustable Base Jack Solid 670 mm	6.00
2	Adjustable Base Jack Solid 760 mm	6.65
3	Adjustable Base Jack Solid 860 mm	7.36



Adjustable U-Head Jack Code:114006

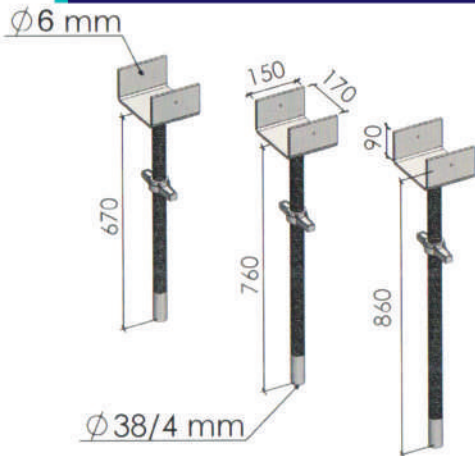
Adjustable U-Head Jack are made of a "U" shaped steel plate, screw jack and steel handle.

Adjustable U-Head jacks are available in two types (Hollow and Solid).

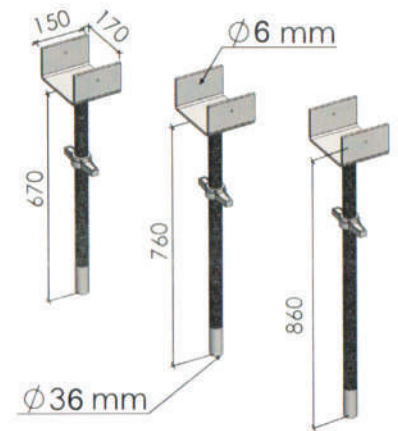
Adjustable U-Head Jacks are providing support for primary beams (traditional timber, steel, H20 beam and aluminum beam).

Adjustable U-Head Jacks are inserting into the top of the Cuplock standards.

Adjustable U-Head Jack Hollow



Adjustable U-Head Jack Solid



	PRODUCT	WEIGHT (KG)
1	Adjustable U-Head Jack Hollow 670 mm, 6 mm U-Head Thk	5.05
2	Adjustable U-Head Jack Hollow 760 mm, 6 mm U-Head Thk	5.82
3	Adjustable U-Head Jack Hollow 860 mm, 6 mm U-Head Thk	6.58

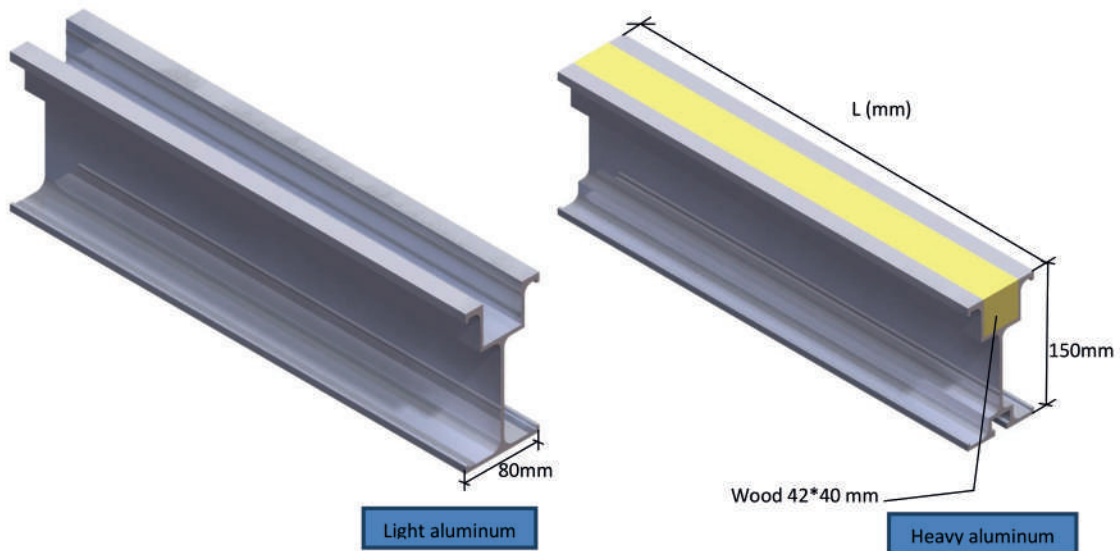
	PRODUCT	WEIGHT (KG)
1	Adjustable U-Head Jack Hollow 670 mm, 8 mm U-Head Thk	6.00
2	Adjustable U-Head Jack Hollow 760 mm, 8 mm U-Head Thk	6.30
3	Adjustable U-Head Jack Hollow 860 mm, 8 mm U-Head Thk	6.60

	PRODUCT	WEIGHT (KG)
1	Adjustable U-Head Jack Solid 670 mm, 6 mm U-Head Thk	7.45
2	Adjustable U-Head Jack Solid 760 mm, 6 mm U-Head Thk	8.15
3	Adjustable U-Head Jack Solid 860 mm, 6 mm U-Head Thk	8.86

	PRODUCT	WEIGHT (KG)
1	Adjustable U-Head Jack Solid 670 mm, 8 mm U-Head Thk	8.40
2	Adjustable U-Head Jack Solid 760 mm, 8 mm U-Head Thk	9.10
3	Adjustable U-Head Jack Solid 860 mm, 8 mm U-Head Thk	9.81

Aluminum Beams

Aluminum beams combine the benefits of strength, lightness and ease handling with consistency, versatility and exceptional durability. Aluminum beams manufactured from high grade alloy (ALLOY 6082). Available in two standard sections.



Code	Length(L)
106001	1000mm
106003	2000mm
106004	3000mm
106005	4000mm
106006	5000mm

Technical Specifications Technical Specifications

- 1-Permissible modulus (M)=0.77(t.m) 1-Permissible modulus M =0.86(t.m)
 2-Permissible shear force (t) =4.70 KN 2-Permissible shear force (t) =4.00 KN
 3- Section modulus (z) =51.7 cm³ 3- Section modulus (z) =57.98 cm³
 4- Geometrical moment oh inertia (I) =389.7 cm⁴ 4- Geometrical moment oh inertia (I) =469.66 cm⁴

Scaffolding Coupler



Drop Forged Double Coupler

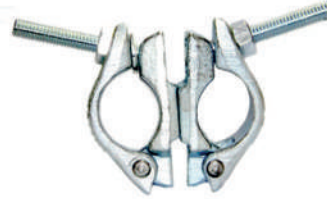
Code 114003

WEIGHT : 1.00 kg

QUALITY STANDARD : EN74-1:2005 Class B, AS1576.2

COATING : Available in zinc plated and Hot dip galvanized

MATERIAL : Carbon Steel Q235



Drop Forged Swivel Coupler

Code 114002

WEIGHT : 1.15 kg

QUALITY STANDARD : EN74-1:2005 Class A, AS1576.2

COATING : Available in zinc plated and Hot dip Galvanised

MATERIAL : Carbon Steel Q235



Putlog Coupler

Code 114004

WEIGHT : 0.60 kg

QUALITY STANDARD : AS1576.2, BS1139

COATING : Available in zinc plated

MATERIAL : Carbon Steel Q235



Sleeve Coupler

Code 114013

WEIGHT : 1.00 kg

QUALITY STANDARD : EN 74/1 : 2005

COATING : Available in zinc plated

MATERIAL : Carbon Steel Q235



Beam Coupler

Code 114018

Performs a similar function to the wedge clamps but recommended where forms are to be handled repeatedly or are likely to be subjected to considerable vibration.



Board Retaining Clamp

Code 114019

The BRC is used with scaffolding in order to secure scaffolding boards. BRC ensures that scaffolding boards are carefully and safely locked in to the correct position for a safe work environment.

Scaffolding Tube



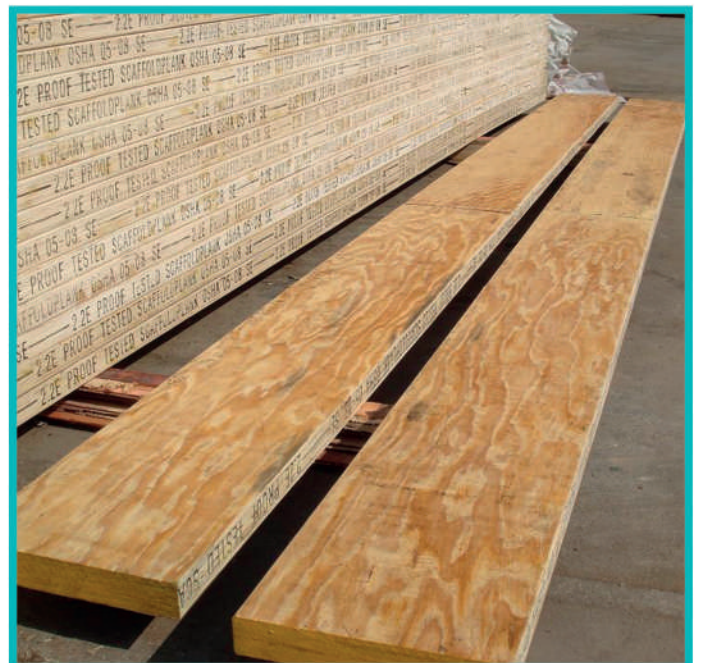
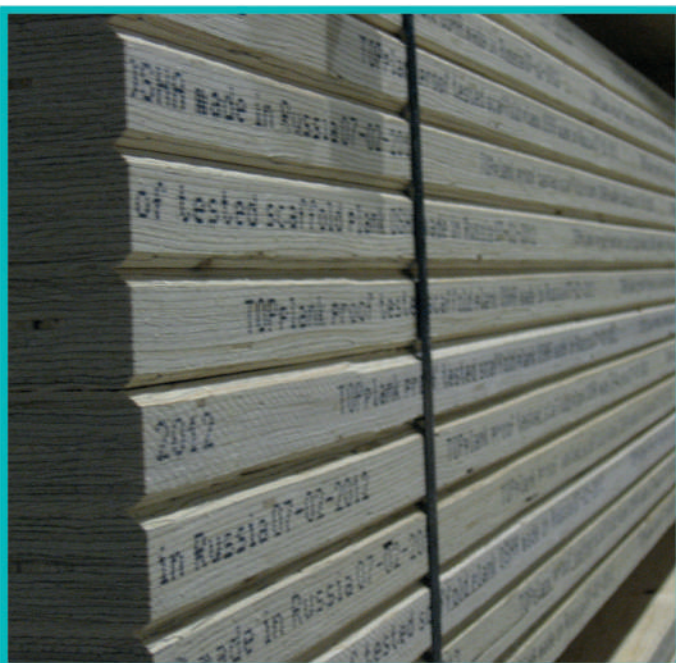
Code	Items
104001	Scaffolding Tube 1m
104002	Scaffolding Tube 2m
104003	Scaffolding Tube 3m
104004	Scaffolding Tube 4m
104005	Scaffolding Tube 5m
104006	Scaffolding Tube 6m

WEIGHT : $\Phi 48.3 \times 4\text{mm}$ -Per unit 4.37kg/2.937lbs, $\Phi 48.3 \times 3.2\text{mm}$ -Per unit 3.56kg/2.392lbs

QUALITY STANDARD : EN39/BS1139/AS1163

FINISHING-Hot Dipped or Pre Galvanized pipe

Scaffold Timber Board

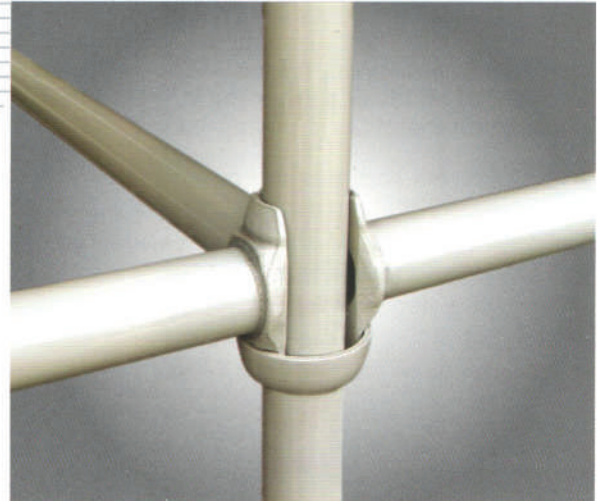


Product Features

The principle characteristics feature of the "Safelok" system scaffold is its unique method of connecting vertical and horizontal scaffold members together. The signal "node" point connection enables up to four ledgers/transoms to be fastened to the standard at once with a single hammer blow. This is achieved without the use of nuts, bolts or wedges.

The locking device is formed by two cups, a fixed lower cup, which is welded to the standards at 500mm intervals and a sliding /rotating upper cup, the upper cup is moved down and rotated to secure the component/components in place. The connection is tightened by a hammer blow resulting in a positive and rigid fixing. This unique node point connection makes "Safelok" the fastest system scaffold available in the market today.

There is no lost productivity due to alignment of pockets at different levels; there are no loose parts to get at site and no delays in repairing damaged wedges.



1. Locate the blade end of the ledger into the lower cup.

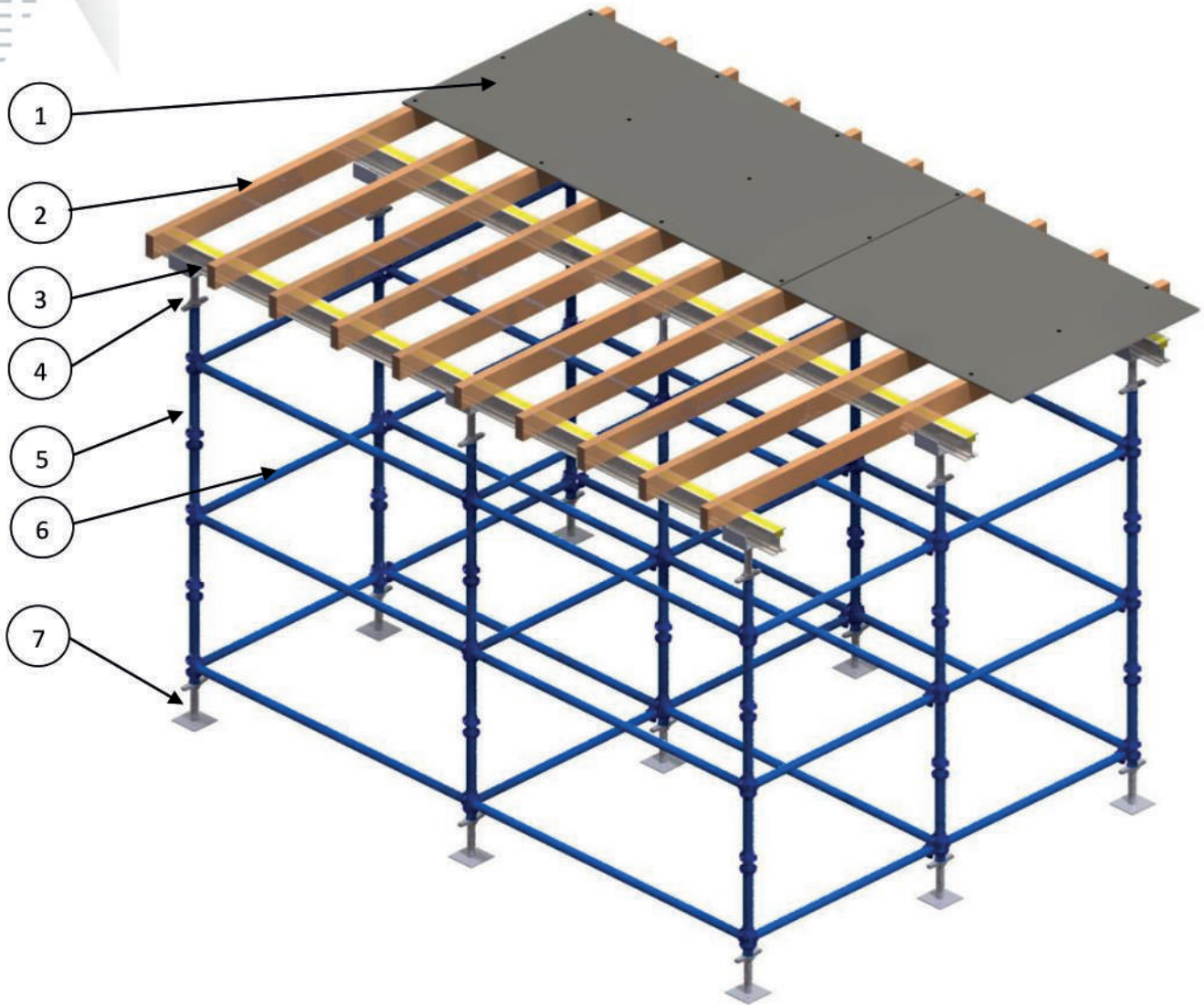


2. Lower the upper cup down the standard and rotate.



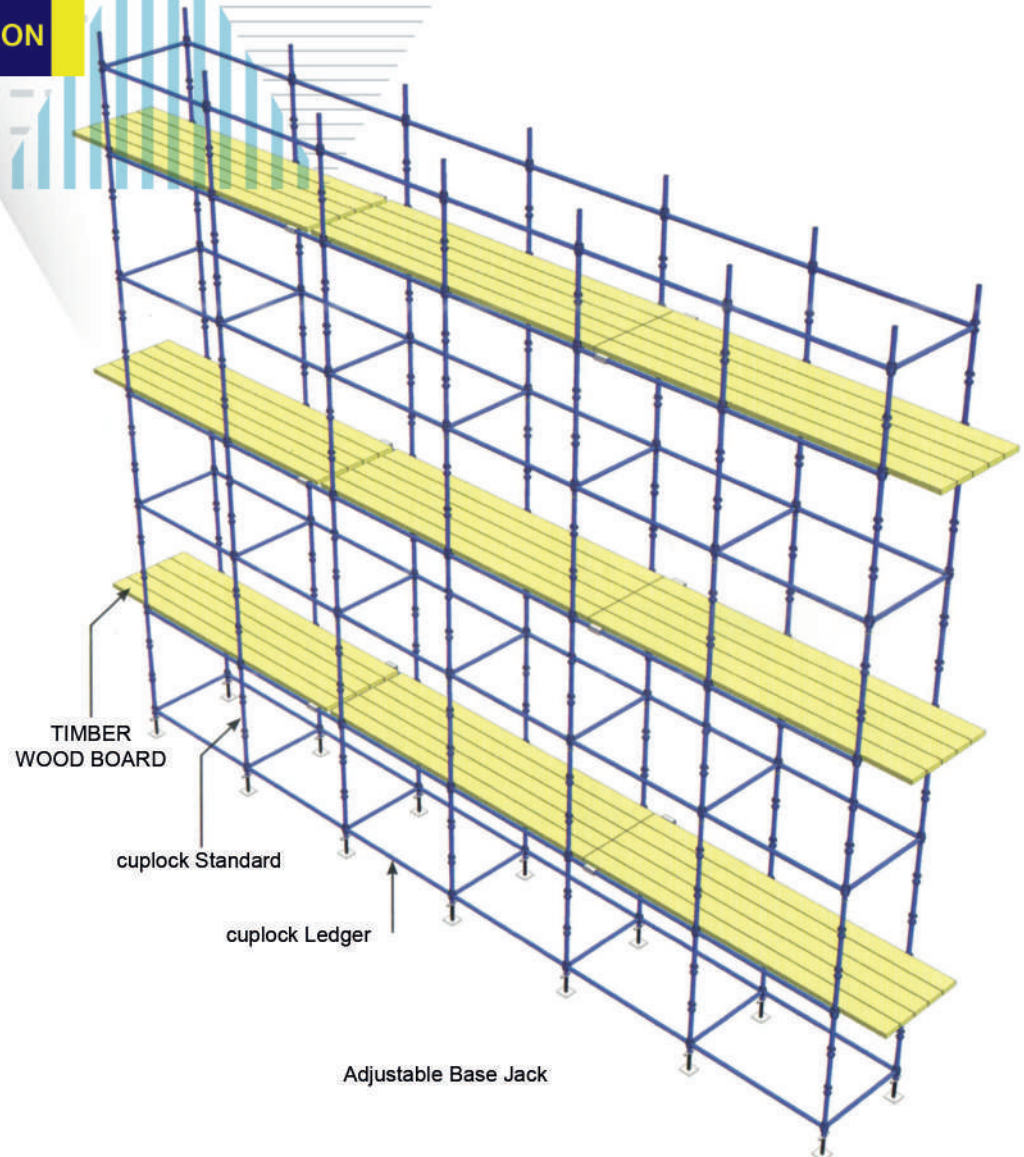
3. Tighten with hammer blow.

FALSEWORK APPLICATION



Part No.	Part Name	
1	Ply Wood (Sheeting)	Code: 114009
2	Secondary timber beam	
3	Primary aluminum beam	
4	Adjustable U-head jack	
5	Vertical standard	
6	ledger	
7	Adjustable base jack	

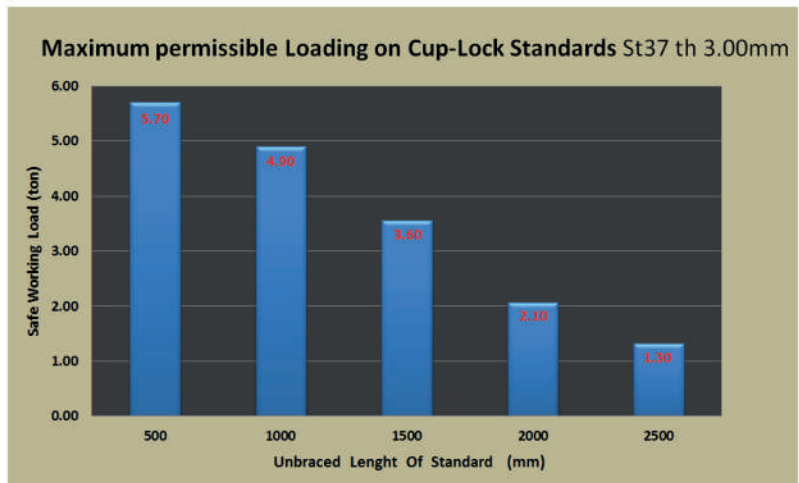
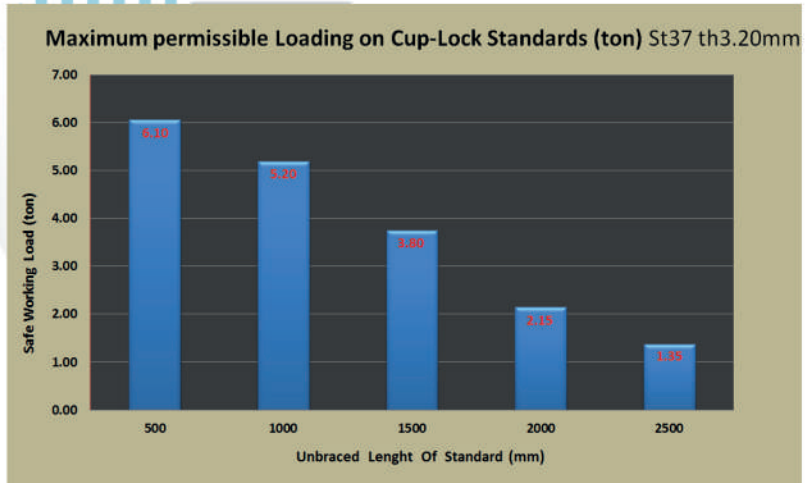
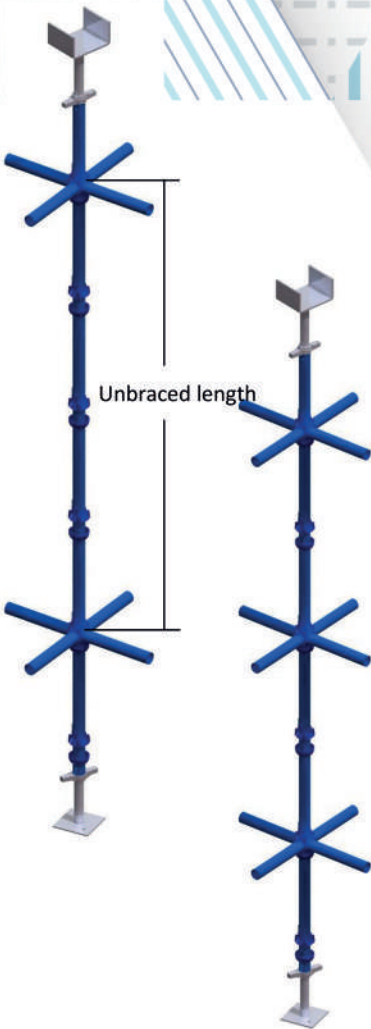
SCAFFOLDING APPLICATION



Cuplock Scaffolding Application

Cuplock Scaffolding system is multipurpose steel scaffold for general access and supporting vertical loads through the following :

- ▶ Safe working loads on platforms will vary between 0.75KN and 3KN per square meter depending on the configuration of the scaffold.
- ▶ Cuplock scaffolding meet the requirements of the international standard for health and safety .
- ▶ Cuplock scaffolding is compatible with any scaffolding accessories (stairs , boards,wheels,tie...)
- ▶ All components are designed to be light weight and easily assembled.
- ▶ Cuplock constructs and maintains an installation that can seriously affect the life acceptance and efficiency of the finished installation.

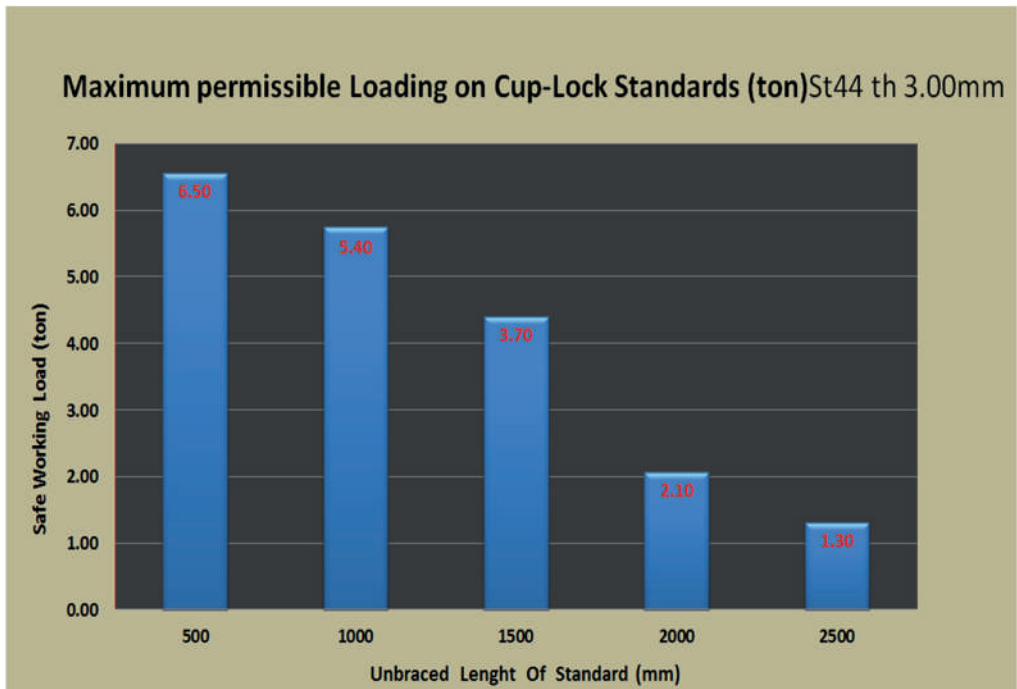
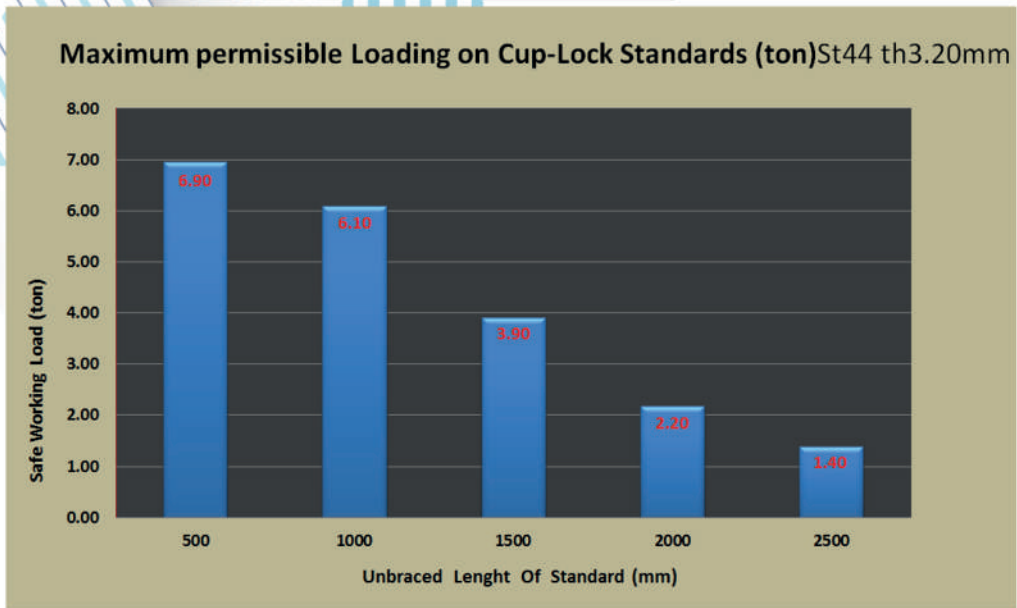


Technical data

Maximum permissible loading on cuplock standard

Maximum permissible loading on cuplock standard dependson Theunbraced of stadard (Lift distance) and te maximum bay size .

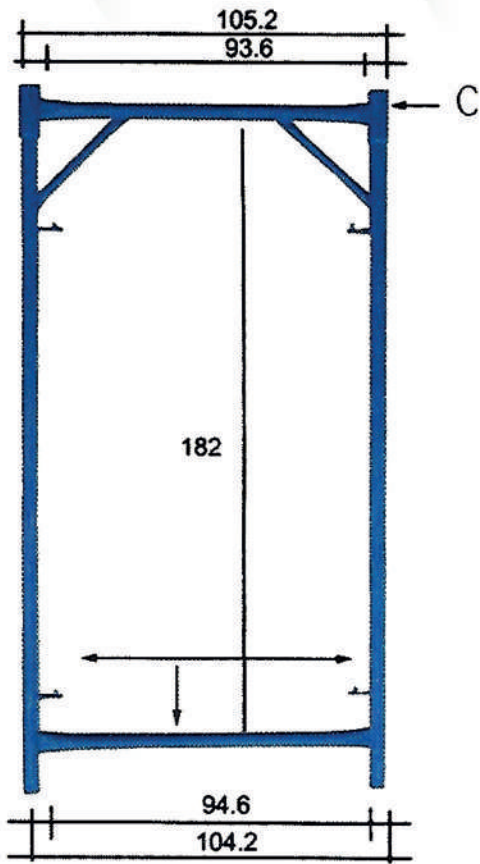
The following graphs shown the max Maximum permissible load on the cuplock standard with different steel grades and wall thickness of tubes according



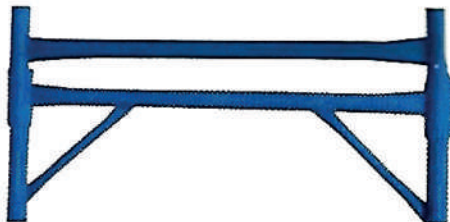
Technical data

- These graphs give Maximum permissible Load for internal Standards which are erected plumb, loaded concentrically and effectively braced in the major directions.
- For external Standards reduce Working Load Limits by 15%.

Scaffolding frame 2M



Scaffolding Frame 2 M



Horizontal

Code	Product
103002	Scaffolding Frame 2 M
103005	Diagonal
103006	Horizontal
114010	Scaffolding Wheel

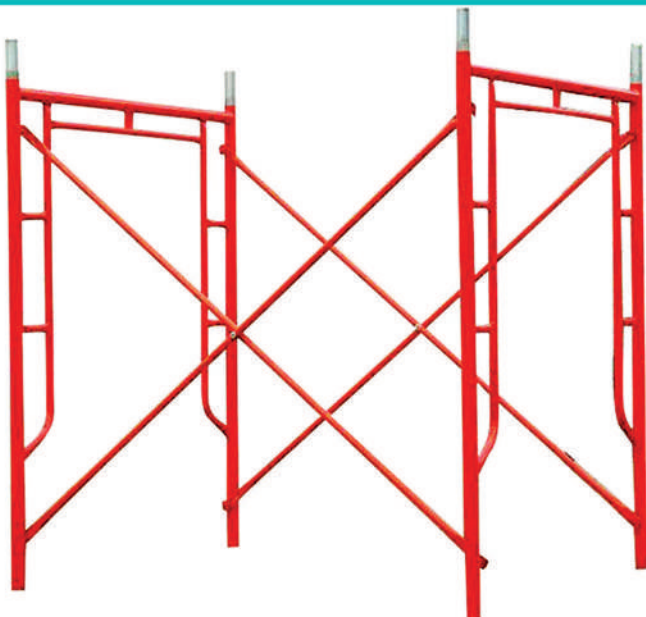


Scaffolding Wheel



Diagonal

Korean Frame System



— Cross —

Code	Product	Code	Product	Code	Product
103001	Korean Frame	103003	Cross	103004	Connector

Steel Props



Code	Product
102001	Steel Props 4.90
102002	Steel Props 3.90



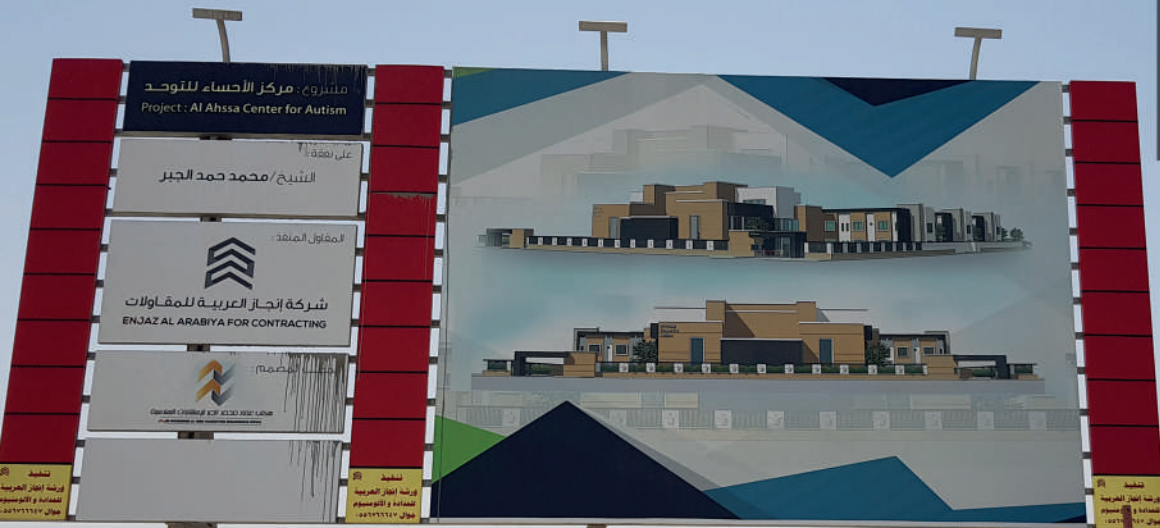


Some of Our Works

برج نماء المستقبل الأحساء



مستشفى الأحساء للتوحد



برج
نماء المستقبل
الأحساء
واجهات

دعم وامان
لخدمات السقالة
0543207949 - 0580008827 - 0569200277

برج دار عافية الدمام



عمارة دار السلام الأحساء

دعم وأمان
لخدمات السقالة
0543267949 - 0586008037 - 0269780277



مبنى الإدارة
مدينة راس الخير
(التابع للهيئة الملكية)



جامع الموسيقى



مبنى
العلوم والمعرفة
جامعة الملك فيصل





الكلية التقنية بالأحساء

دعم وأمان
لخدمات السقالة
0543207949 - 0580008827 - 0569200277



إسكان القاعدة الجوية الدمام



الرقم: ٢٢٥١٠٥٦٥٨٢

التاريخ: ١٤٣٥/٠٤/٢٦



وزارة التجارة والصناعة
Ministry of Commerce and Industry

شركة تسجيل

الإسم التجاري للشركة: شركة دعم وأمان للمقاولات العامة
نوعها: ذات مسئولية محدودة

سعوديه

جنسيتها:

١٤٦٤/٠٤/٢٣

وتنتهي في:

١٤٣٩/٠٤/٢٣

تبدأ من:

مدة الشركة: ٠٢٥ سنة

مركزها الرئيسي: الأحساء \ الهفوف - حي السلمانية - شارع الامير نايف

٥٧٣٢٤٩٠

٣٦٤٤١

٧٩٦٥

٧٤٢٤

فاكس:

هاتف:

الرمز البريدي:

النشاط: مقاولات عامة في المباني (انشاء - ترميم - إصلاح - هدم) وتأجير المعدات
وتأجير وتركيب السقالات ..

تحويل من مؤسسة الى شركة في ١٤٣٩/٠٤/٢٣ هـ ..

- | | | |
|------|------------|---------------------------------------|
| ٢ - | ٣٥٠٠٠٠٠,٠٠ | رأس المال: |
| ٤ - | ٣٥٠٠٠٠٠,٠٠ | المديرون: |
| ٦ - | ٣٥٠٠٠٠٠,٠٠ | ١ - احمد بن عبد الوهاب بن احمد الشباط |
| ٨ - | ٣٥٠٠٠٠٠,٠٠ | ٢ - |
| ١٠ - | ٣٥٠٠٠٠٠,٠٠ | ٣ - |
| ١٢ - | ٣٥٠٠٠٠٠,٠٠ | ٥ - |
| | | ٧ - |
| | | ٩ - |
| | | ١١ - |

سلطات المدير / المديرون احسب ما نص عليه عقد الشركة ~

الهفوف

عبدالله احمد الدبان

مدير السجل التجاري للشركات :

التوقيع :

١٤٣٩/٠٤/٢٣

١٣٩٩٠٣٥٠ وتاريخ: ١٤٣٩/٠٤/٢٣

الأحساء

بأنه تم

تسجيل الشركة

أفقه الذكر

بسجل مدينة

الأحساء

رقم:

١٤٤٠/٠٤/٢٣

بموجب

القرار رقم

١٤٤٠/٠٤/٢٣

بموجب

القرار رقم

١٤٤٠/٠٤/٢٣

بموجب

القرار رقم

١٤٤٠/٠٤/٢٣

بموجب

القرار رقم

١٤٤٠/٠٤/٢٣

بموجب

القرار رقم

١٤٤٠/٠٤/٢٣

بموجب

القرار رقم

١٤٤٠/٠٤/٢٣

بموجب

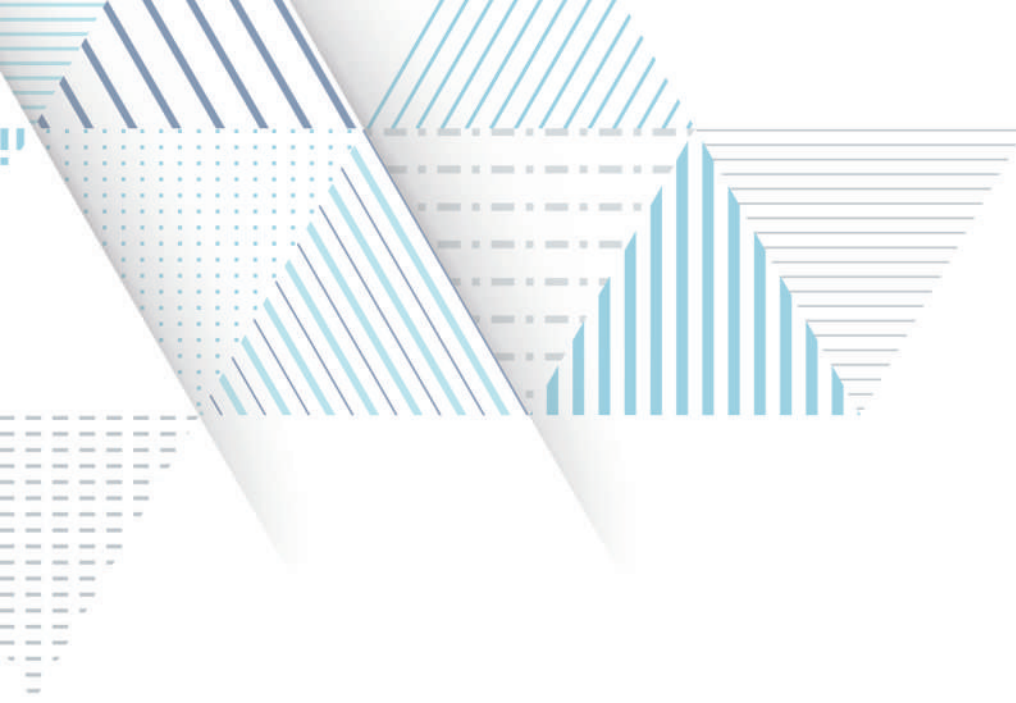
القرار رقم

١٤٤٠/٠٤/٢٣

بموجب

القرار رقم

١٤٣٩/٠٤/٢٣



Some of Our Customers

اسم الشركة والموقع

الشركة السعودية القبرصية

المملكة العربية السعودية - الدمام

شركة أبناء عبدالله حسين المطوع

المملكة العربية السعودية - الدمام

مؤسسة عابد علي الحبشي

المملكة العربية السعودية - الدمام

شركة التعمير والانشاء BCC

المملكة العربية السعودية - الخبر

شركة بكين للانشاءات الهندسية

المملكة العربية السعودية - الدمام

شركة انجاز العربية للمقاولات

المملكة العربية السعودية - الأحساء

شركة قانسو للتعاون الاقتصادي

المملكة العربية السعودية - الدمام

شركة زيد الحسين للمقاولات

المملكة العربية السعودية - الدمام

مصنع سما للألمونيوم

المملكة العربية السعودية - الدمام

شركة آرت لاند

المملكة العربية السعودية - الدمام

شركة ركني الخليج

المملكة العربية السعودية - الدمام

شركة فيصل للأعمال الكهربائية والميكانيكية

المملكة العربية السعودية - الخبر

شركة اتحاد أبا حسين للقوة والطاقة

المملكة العربية السعودية - الخبر



دعم و أمان
Safe & Support



دعم و أمان
شركة ذات مسؤولية محدودة

E-mail :Hasabbranch@safeandsupport.com

E-mail :Dammambranch@safeandsupport.com

Mob. : 0580008827 - Mob. : 0582788854 -

فرع الأحساء - الهفوف - السلمانية الجنوبية

فرع الدمام - طريق أبو حدرية السريع

Mob. : 0543207949 - Mob.: 0569200277